

ECO Spot C40E LED Gobo Projector

Compact LED Gobo Projector for mid level Brightness and Image sizes.

- Strongest compact ECO Spot model.
- Interchangeable Projection Lenses for a wide range of applications.
- Takes metal and glass Gobos up to Full Color. No film gobos.
- Integrated, switchable Gobo Rotator.
- Universal yoke/stand-foot allows for Standalone or Truss mounting.
- Compact, full Aluminum Housing.
- Wide power Range.



SPECIFICATIONS:

Item Number:	ES-C40E
Line Voltage:	100-240V, 277V, 50/60Hz, 0.18A, 50W
Dimmable:	No, interior and plus models are dimmable

Lamp Type:	LED 40W
Rated Bulb Life:	40,000 Hours
Color Temperature (Kelvin):	6,000k +/-500k
Effective Luminous Flux:	2,400lm (LED rated 3000lm)

Available Projection Lenses:	Narrow: f=140mm/10°, Semi-Narrow: f=100mm/15°, Medium: f=70mm/20°, Wide: f=50mm/25°, Ultra Wide f=28mm/45° (max. Gobo ID: 25mm)
-------------------------------------	---

Gobo Dimensions: ID=Image Diameter OD=Outer Diameter	OD37.5mm, ID25mm (with provided adapter) or OD52.8mm, ID25mm
Recommended max. ID:	text ID25mm / standard ID27mm / patterns ID32mm
Gobo Types:	Glass or Metal, NO Film material

PROJECTION RANGE (typical range with Narrow lens)

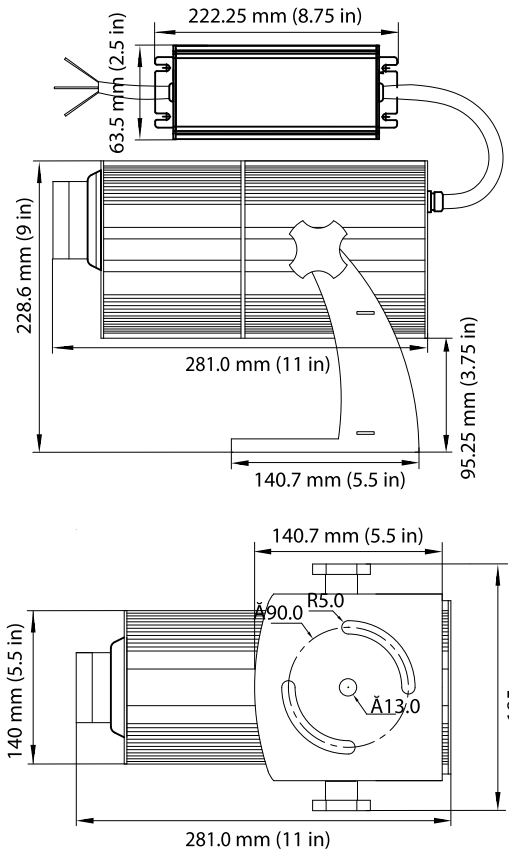
Bright environment:	- up to 40 feet
Dim environment:	- up to 70 feet
Dark environment:	- up to 150 feet

ECO Spot C40E LED Gobo Projector

Typ. total length including the projection lens:

- Narrow: f=140mm/10°: 323.85mm (12.75in)
- Semi-Narrow: f=100mm/15° 304.8mm (12in)
- Medium: f=70mm/20°: 281mm (11in)
- Wide: f=50mm/25°: 281mm (11in)
- Ultra Wide: f=28mm/45°: 273.05mm (10.75in)

Projector Weight: 8 lbs



ECO Spot™ Photometrics						ECO Spot is a Trademark of Globus New Media LLC dba Gobosource																	
Model Gobo Size	Color Temp.	Lens	Beam Mult.	Effective Im	CD	Value	PROJECTION DISTANCE IN FEET (ft)																
							3	6	9	12	15	20	24	30	36	42	64	88	112	136	200	250	
ES-C40 ES-C40E ES-B40 ES-B40E ID=27mm	6000k +/- 500k	140mm (10°)	0.20	1017	32,400	Size (ft)			1.8	2.4	3.0	4.0	4.8	6.0	7.2	8.4	13	18					
		Brightness (fc)			400	225	144	81	56	36	25	18	8	4									
		100mm (15°)	0.28	1441	23,760	Size (ft)		1.7	2.5	3.3	4.2	5.6	6.7	8.3	10.0	12	18						
		Brightness (fc)			660	293	165	106	59	41	26	18	13	6									
		70mm (20°)	0.38	2117	18,720	Size (ft)	1.1	2.3	3.4	4.6	5.7	7.6	9.1	11	14	16							
		Brightness (fc)			2080	520	231	130	83	47	33	21	14	11									
		50mm (25°)	0.49	1602	8,640	Size (ft)	1.5	2.9	4.4	5.8	7.3	9.7	12	15	17	20							
		Brightness (fc)			960	240	107	60	38	22	15	10	7	5									
28mm (45°)	0.88	1751	2,880	Size (ft)	2.6	5.3	7.9	10.6	13.2	17.6	21	*Max. Gobo Image Size for this lens = 25mm											
Brightness (fc)			320	80	36	20	13	7	5														

ECO Spot is a Trademark of Globus New Media LLC dba Gobosource Copyright ©2017 GoboSource™

How to Read the Illumination Values	
Foot Candles (ft)	For a quick overview, the illumination values in the tables are color coded. There are many factors that determine the visibility of a projection, such as ambient light, color and reflectiveness of the projection surface, competing light, gobo colors, projector color temperature, and other factors. Therefore our recommendations should only be used as guidelines and we cannot guarantee a successful application. If you are unsure, please call us to discuss.
Projection Size Calculation	For the resulting Projection Size at any given Distance, Multiply the number in the "Beam Mult." column with your Projection Distance. Projection Size = Distance x Beam Mult. For the Distance needed to achieve a desired Projection Size, Divide the Projection size by the Beam Multiplier. Distance = Projection Size / Beam Mult.
300+	Extreme brightness for extremely bright environments, i.e. bright areas, additionally flooded with daylight, such as Lobby-, Retail-, Trade Show-, Environment. Outdoors (shady, no direct sunlight). Color gobos project in vibrant colors.
45-300	Very high brightness for very bright environments, such as Office-, Lobby-, Retail-, Trade Show-, Environment. Color gobos project in vibrant colors. Outdoors well visible at night with vibrant colors.
15-45	Sufficient brightness for regular environments, such as Bars, Clubs, and intimate Restaurants, Theaters, and dimmed Conference rooms. Outdoors well visible at night. Color gobos should preferably be used with lighter colors and the projection surface should be light and somewhat reflective.
15-3	Only advisable for dark environments and subtle projection of light colored artwork, preferably on light, reflective projection surface. If all conditions are met, the max. listed image distance/size can be doubled in most cases.

Metric Conversions: For Meters multiply feet by .3048. For Lux multiply footcandles by 10.76

PACKAGE CONTENTS

Power Cord • Test Gobo • Spare Gobo Retaining Ring • Integrated Gobo Mounts • User Manual